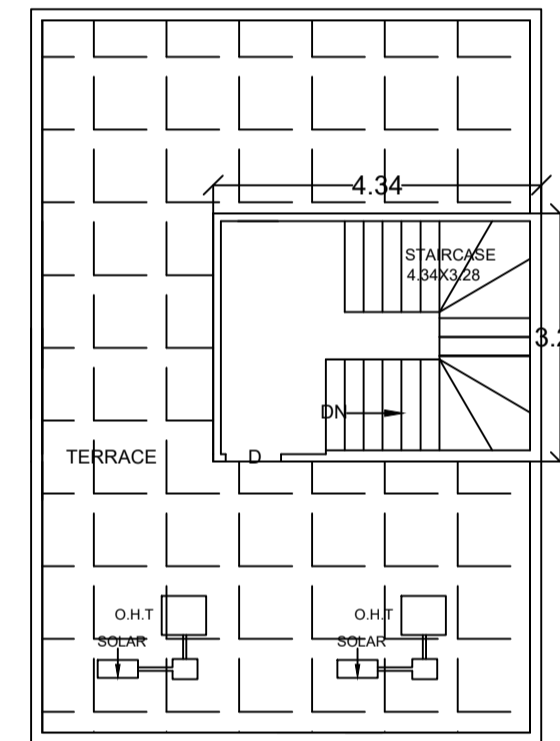


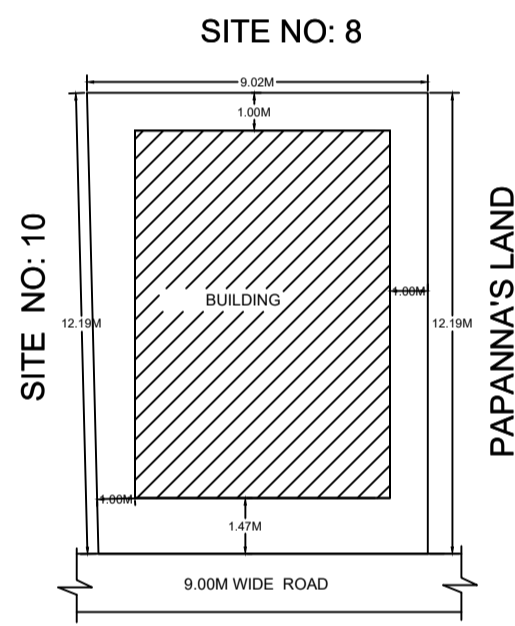
GROUND FLOOR PLAN

FIRST FLOOR PLAN

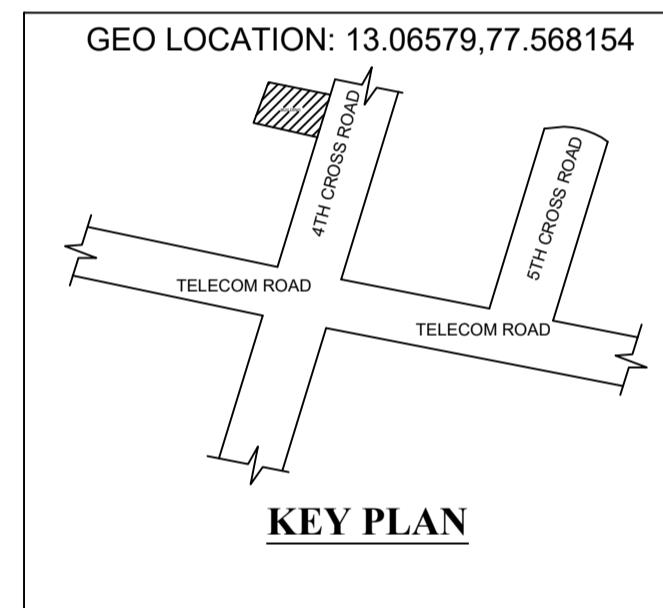
SECOND FLOOR PLAN



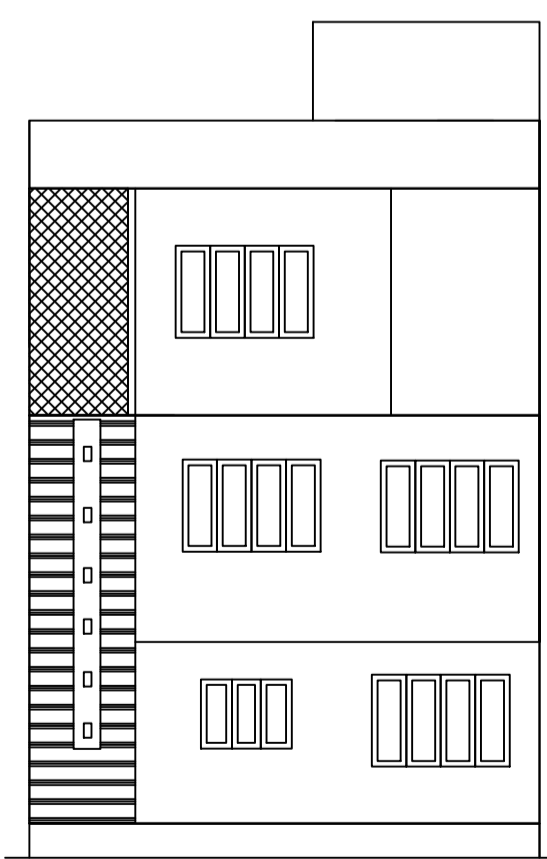
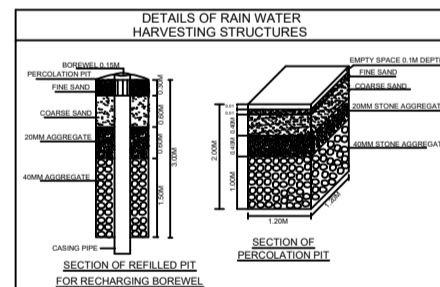
TERRACE FLOOR PLAN



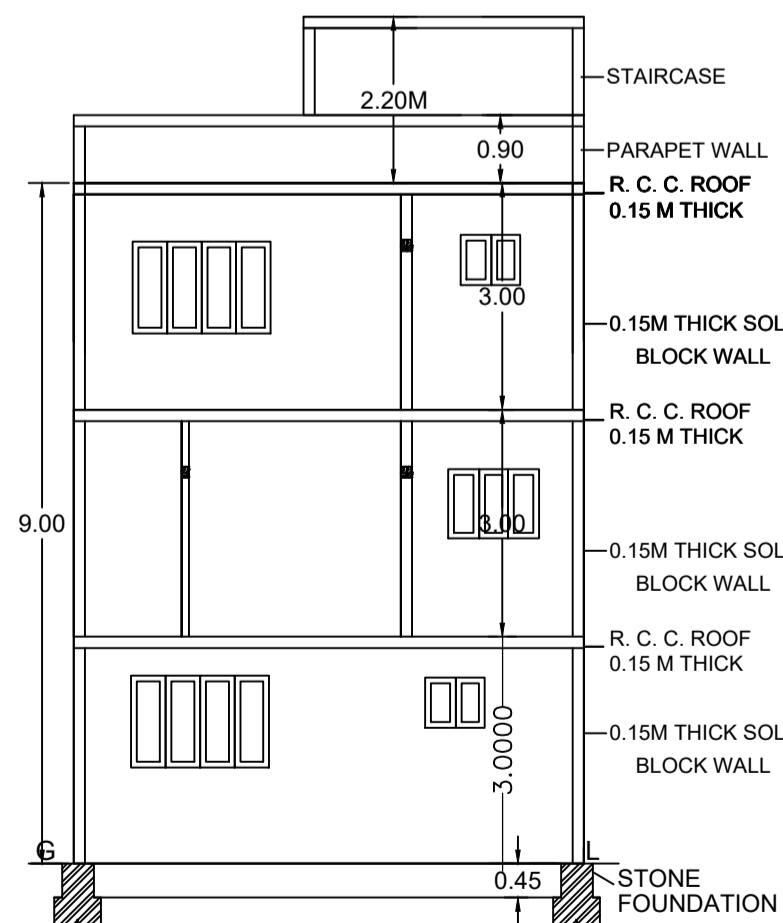
SITE PLAN



KEY PLAN



FRONT ELEVATION



SECTION AT A-A

Block :A (A)

| Total Built Up Area (Sq.mt.) | Block | | | Total FAR Area (Sq.mt.) | Tmnt (No.) |
|------------------------------|------------|---------|-------|-------------------------|------------|
| | Stair/Case | Parking | Resi. | | |
| 14.24 | 14.24 | 0.00 | 0.00 | 0.00 | 00 |
| Second Floor | 65.61 | 6.94 | 0.00 | 58.67 | 58.67 |
| First Floor | 65.61 | 6.90 | 0.00 | 58.71 | 58.71 |
| Ground Floor | 65.38 | 7.92 | 31.11 | 26.35 | 26.35 |
| Total: | 210.84 | 36.00 | 31.11 | 143.73 | 143.73 |
| Total: | 210.84 | 36.00 | 31.11 | 143.73 | 143.73 |

UnitBUA Table for Block :A (A)

| Block | Name | UnitBUA Type | UnitBUA Area | Carpet Area | No. of Rooms | No. of Tenement |
|-------------------|-------|--------------|--------------|-------------|--------------|-----------------|
| GROUND FLOOR PLAN | GF | FLAT | - | - | 3 | 1 |
| FIRST FLOOR PLAN | SPLIT | FLAT | 131.22 | 131.22 | 3 | 1 |
| SECOND FLOOR PLAN | SPLIT | FLAT | 0.00 | 0.00 | 4 | 0 |
| Total: | - | - | 157.57 | 157.57 | 10 | 2 |

FAR & Tenement Details

| Block | No. of Same Bldg | Total Built Up Area (Sq.mt.) | Deductions (Area in Sq.mt.) | | Proposed FAR Area (Sq.mt.) | Total FAR Area (Sq.mt.) | Tmnt (No.) |
|--------------|------------------|------------------------------|-----------------------------|-------|----------------------------|-------------------------|------------|
| | | | Parking | Other | | | |
| A (A) | 1 | 210.84 | 36.00 | 31.11 | 143.73 | 143.73 | 02 |
| Grand Total: | 1 | 210.84 | 36.00 | 31.11 | 143.73 | 143.73 | 2.00 |

Block USE/SUBUSE Details

| Block Name | Block Use | Block SubUse | Block Structure | Block Land Use Category |
|------------|--------------------------|------------------------|-----------------|-------------------------|
| A (A) | Plotted Resi development | Bldg upto 11.5 mt. HT. | R | R |

Required Parking (Table 7a)

| Block Name | Type | SubUse | Units | | Car | |
|------------|------|--------|-------|-------|------------|-------|
| | | | Reqd. | Prop. | Reqd./Unit | Prop. |
| A (A) | - | - | 50 | 225 | 1 | - |
| Total: | - | - | - | - | 1 | 2 |

Parking Check (Table 7b)

| Vehicle Type | No. | | Achieved | |
|---------------|-----|---------------|----------|---------------|
| | No. | Area (Sq.mt.) | No. | Area (Sq.mt.) |
| Car | - | 13.75 | 2 | 27.50 |
| Total Car | 1 | 13.75 | 2 | 27.50 |
| Other Parking | - | - | 0 | 0.00 |
| Total | - | - | 2 | 27.50 |

SCHEDULE OF JOINERY:

| BLOCK NAME | NAME | LENGTH | HEIGHT | NOS |
|------------|------|--------|--------|-----|
| A (A) | D1 | 0.76 | 2.10 | 03 |
| A (A) | D | 0.90 | 2.10 | 05 |
| A (A) | MD | 1.06 | 2.10 | 01 |

SCHEDULE OF JOINERY:

| BLOCK NAME | NAME | LENGTH | HEIGHT | NOS |
|------------|------|--------|--------|-----|
| A (A) | V | 1.50 | - | - |
| A (A) | W1 | 1.80 | 2.10 | 18 |

Approval Condition :

This Plan Sanction is issued subject to the following conditions :

- The sanction is accorded for. a) Consisting of Block - A (A) Wing - A-1 (A) Consisting of GF+2UF.
- The sanction is accorded for Plotted Resi development A (A) only. The use of the building shall not deviate to any other use.
- The applicant shall INSURE all workmen involved in the construction work against any accident / untoward incidents arising during the time of construction.
- The applicant shall not stock any building materials / debris on footpath or on roads or on drains. The debris shall be removed and transported to near by dumping yard.
- The applicant / builder is prohibited from selling the setback area / open spaces and the common facility areas, which shall be accessible to all the tenants and occupants.
- The applicant shall provide a space for locating the distribution transformers & associated equipment as per K.E.C (E&D) code leaving 3.00 mts. from the building within the premises.
- The applicant shall provide a separate room preferably 4.50 x 3.65 m in the basement for installation of telecom equipment and also to make provisions for telecom services as per Bye-law No. 25.
- The applicant shall maintain during construction such barricading as considered necessary to prevent dust, debris & other materials endangering the safety of people / structures etc. in & around the site.
- Permission shall be obtained from forest department for cutting trees before the commencement of the work.
- License and approved plans shall be posted in a conspicuous place of the licensed premises. The building license and the copies of sanctioned plans with specifications shall be mounted on a frame and displayed and they shall be made available during inspections.
- If any owner / builder contravenes the provisions of Building By-laws and rules in force, the Architect / Engineer / Supervisor will be informed by the Authority in the first instance, warned in the second instance and cancel the registration if the same is repeated for the third time.
- Technical personnel, applicant or owner as the case may be shall strictly adhere to the duties and responsibilities specified in Schedule - IV (Bye-law No. 3.6) under sub section IV-8 (e) to (k).
- The building shall be constructed under the supervision of a registered structural engineer.
- On completion of foundation or footings before erection of walls on the foundation and in the case of columnar structure before erecting the columns "COMMENCEMENT CERTIFICATE" shall be obtained from the date of issue of license & within one month after its completion shall apply for permission to occupy the building.
- The building should not be occupied without obtaining "OCCUPANCY CERTIFICATE" from the competent authority.
- Drinking water supplied by BWSSB should not be used for the construction activity of the building.
- The applicant shall ensure that the Rain Water Harvesting Structures are provided & maintained in good repair for storage of water for non potable purposes or recharge of ground water at all times having a minimum total capacity mentioned in the Bye-law 32(a).
- The building shall be designed and constructed adopting the norms prescribed in National Building Code and in the "Criteria for earthquake resistant design of structures" bearing No. IS 1893-2002 published by the Bureau of Indian Standards making the building resistant to earthquake.
- The applicant should provide solar water heaters as per table 17 of Bye-law No. 29 for the building.
- Facilities for physically handicapped persons prescribed in schedule XI (Bye laws - 31) of Building bye-laws 2003 shall be ensured.
- The applicant shall provide at least one common toilet in the ground floor for the use of the visitors / servants / drivers and security men and also entrance shall be approached through a ramp for the Physically Handicapped persons together with the stepped entry.
- The Occupancy Certificate will be considered only after ensuring that the provisions of conditions vide SI. No. 23, 24, 25 & 26 are provided in the building.
- The applicant shall ensure that no inconvenience is caused to the neighbors in the vicinity of construction and that the construction activities shall stop before 10.00 PM and shall not resume the work earlier than 7.00 AM to avoid hindrance during late hours and early morning hours.
- Garbage originating from Apartments / Commercial buildings shall be segregated into organic and inorganic waste and should be processed in the Recycling processing unit - k g capacity installed at site for its re-use / disposal (Applicable for Residential units of 20 and above and 2000 Sqm and above built up area for Commercial building).
- The structures with basement/s shall be designed for structural stability and safety to ensure for soil stabilization during the course of excavation for basements with safe design for retaining walls and super structure for the safety of the structure as well as neighboring property, public roads and footpaths, and besides ensuring safety of workman and general public by erecting safe barricades.

- Sufficient two wheeler parking shall be provided as per requirement.
- Traffic Management Plan shall be obtained from Traffic Management Consultant for all high rise structures which shall be got approved from the Competent Authority if necessary.
- The Owner / Association of high-rise building shall obtain clearance certificate from Karnataka Fire and Emergency Department every Two years with due inspection by the department regarding working condition of Fire Safety Measures installed. The certificate should be produced to the Corporation and shall get the renewal of the permission issued once in Two years.
- The Owner / Association of high-rise building shall get the building inspected by empaneled agencies of the Karnataka Fire and Emergency Department to ensure that the equipment's installed are in good and workable condition, and an affidavit to that effect shall be submitted to the Corporation and Fire Force Department every year.
- The Owner / Association of high-rise building shall obtain clearance certificate from the Electrical Inspectorate every Two years with due inspection by the Department regarding working condition of Electrical installation / Lifts etc. The certificate should be produced to the BBMP and shall get the renewal of the permission issued that once in Two years.
- The Owner / Association of the high-rise building shall conduct two mock - trials in the building - one before the onset of summer and another during the summer and assure complete safety in respect of fire hazards.
- The Builder / Contractor / Professional responsible for supervision of work shall not materially and structurally deviate the construction from the sanctioned plan, without previous approval of the authority. They shall explain to the owners as to the risk involved in contravention of the provisions of the Act, Rules, Bye-laws, Zoning Regulations, Standing Orders and Policy Orders of the BBMP.
- The construction or reconstruction of a building shall be commenced within a period of two (2) years from date of issue of license. Before the expiry of two years, the Owner / Developer shall give intimation to BBMP (Sanctioning Authority) of the intention to start work in the form prescribed in Schedule VI. Further, the Owner / Developer shall give intimation on completion of the foundation or footing of walls / columns of the foundation. Otherwise the plan sanction deemed cancelled.
- In case of Development plan, Parks and Open Spaces area and Surface Parking area shall be earmarked and reserved as per Development Plan issued by the Bangalore Development Authority.
- All other conditions and conditions mentioned in the work order issued by the Bangalore Development Authority while approving the Development Plan for the project should be strictly adhered to.
- The Applicant / Owner / Developer shall abide by the collection of solid waste and its segregation as per solid waste management bye-law 2016.
- The applicant/owner/developer shall abide by sustainable construction and demolition waste management as per solid waste management bye-law 2016.
- The Applicant / Owners / Developers shall make necessary provision to charge electrical vehicles.
- The Applicant / Owner / Developer shall plant one tree for a) sites measuring 180 Sqm up to 240 Sqm b) minimum of two trees for sites measuring with more than 240 Sqm. c) One tree for every 240 Sqm of the FAR area as part thereof in case of Apartment / group housing / multi-dwelling unit/development plan.
- In case of any false information, misrepresentation of facts, or pending court cases, the plan sanction is deemed cancelled.
- Also see, building licence for special conditions, if any. Special Condition as per Labour Department of Government of Karnataka vide ADDENDUM (Hosadaagi Hoodie) Letter No. LD/95/LET/2013, dated: 01-04-2013 :

Note :

- Accommodation shall be provided for setting up of schools for imparting education to the children of construction workers in the labour camps / construction sites.
- List of children of workers shall be furnished by the builder / contractor to the Labour Department which is mandatory.
- Employment of child labour in the construction activities strictly prohibited.
- Obtaining NOC from the Labour Department before commencing the construction work is a must. 5.BBMP will not be responsible for any dispute that may arise in respect of property in question.
- In case if the documents submitted in respect of property in question is found to be false or fabricated, the plan sanctioned stands cancelled automatically and legal action will be initiated.

Color Notes

COLOR INDEX

- PLOT BOUNDARY
- ABUTTING ROAD
- PROPOSED WORK (COVER AREA)
- EXISTING (To be retained)
- EXISTING (To be demolished)



AREA STATEMENT (BBMP)

VERSION DATE: 31/08/2021

| Authority: BBMP | Plot SubUse: Plotted Resi development | SQ.MT. |
|--|--|--------|
| Inward No: PRJ/7224/21-22 | Land Use Zone: Residential (Main) | 107.76 |
| Application Type: Suvarna Parvangi | Plot/Sub Plot No.: 9 | 107.76 |
| Proposal Type: Building Permission | City Survey No.: 1824 | |
| Nature of Sanction: NEW | Location: RING-III | |
| Building Line Specified as per Z.R. NA | PID No. (As per Khata Extract): - | |
| Zone: Yelahanka | Locality / Street of the property: SITE NO.9,SY NO.1824,KATHA,1903/685/1116/9,KODIGEHALLI VILLAGE,YELAHANKA HOBLI,BANGALORE. | |
| Ward: Ward-009 | | |
| Planning District: 304-Bylatarayanapura | | |
| AREA DETAILS: | | |
| AREA OF PLOT (Minimum) | (A) | 107.76 |
| NET AREA OF PLOT | (A-Deductions) | 107.76 |
| COVERAGE CHECK | | |
| Permissible Coverage area (75.00 %) | | 80.82 |
| Proposed Coverage Area (60.67 %) | | 65.38 |
| Achieved Net coverage area (60.67 %) | | 65.38 |
| Balance coverage area left (14.33 %) | | 15.44 |
| FAR CHECK | | |
| Permissible F.A.R. as per zoning regulation 2015 (1.75) | | 188.58 |
| Additional F.A.R within Ring I and II (for amalgamated plot -) | | 0.00 |
| Allowable TOR Area (60% of Perm.FAR) | | 0.00 |
| Premium FAR for Plot within Impact Zone (-) | | 0.00 |
| Total Perm. FAR area (1.75) | | 188.58 |
| Residential FAR (100.00%) | | 143.73 |
| Proposed FAR Area | | 143.73 |
| Achieved Net FAR Area (1.33) | | 143.73 |
| Balance FAR Area (0.42) | | 44.85 |
| BUILT UP AREA CHECK | | |
| Proposed BuiltUp Area | | 210.84 |
| Achieved BuiltUp Area | | 210.84 |

Approval Date :

OWNER / GPA HOLDER'S SIGNATURE

OWNER'S ADDRESS WITH ID NUMBER & CONTACT NUMBER : 1.SRI.P.NAGARJUNA REDDY 2.SMT.RADHA R RESIDING AT NO.26.1ST CROSS,KEMPANNA LAYOUT,DODDABHOMMASANCI BANGALORE. Mbl.9538512060

ARCHITECT/ENGINEER /SUPERVISOR 'S SIGNATURE

KIRAN D.S Makers Associates Shnn No 6A&6R Public Utility Building, MG Road, Bangalore. Mtb.9538654099 BCC/BL-3/6/SE-0010/21-2

PROJECT TITLE : PLAN SHOWING THE PROPOSED RESIDENTIAL BUILDING AT SITE NO.9,KATHA NO:1903/685/1116/9,SY NO:1824,KODIGEHALLI VILLAGE,YELAHANKA HOBLI,WARD NO.09,BANGALORE

DRAWING TITLE : 1166750368-20-11-202101-51-375_5NAGARJUNA REDDY :: A (A) with GF+2UF

SHEET NO : 1

SANCTIONING AUTHORITY :

ASSISTANT / JUNIOR ENGINEER / TOWN PLANNER ASSISTANT DIRECTOR

This approval of Building plan/ Modified plan is valid for two years from the date of issue of plan and building licence by the competent authority.



YELAHANKA